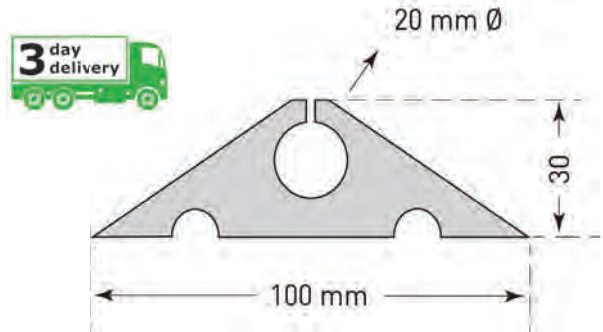


### Cable Protection Ramp - Reel

- » Easily deployed - roll out, cut to length & press cable/hose into the recess
- » Enables you to drive over cables & hoses without causing them damage
- » Manufactured from high strength natural rubber
- » Protects cables/hoses with a dia. of up to 20mm

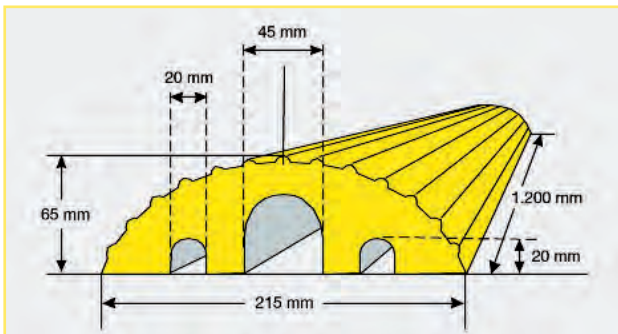


Overall Size L x W x H mm	Weight kg	Model	Price
10,000 x 100 x 30	21	279.26.118	<b>£106.90</b>



### Small Cable Protection Ramps

- » Easily & quickly installed
- » Enables you to drive over cables & hoses without causing them damage
- » Manufactured from high strength natural rubber
- » Yellow & black elements provides high visibility
- » Protects cables/hoses with a dia. of up to 40mm

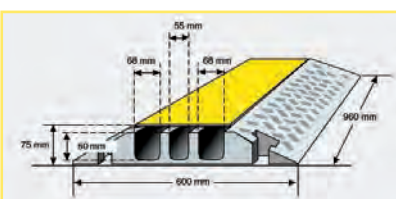


Colour	Overall Size L x W x H mm	Weight kg	Model	Price
Yellow	1200 x 215 x 65	12.8	279.28.720	<b>£62.84</b>
Black			279.21.784	<b>£62.84</b>



### Large Cable Protection Ramps - 3

- » Enables you to drive over cables, hoses & pipes without causing them damage
- » Easily & quickly installed
- » High strength rubber compound ramp with a polypropylene chequer plate, anti-slip, yellow surface moulded cover
- » All sections can be safely interlocked
- » Features 3 cable ducts: 2 cables 68 x 50mm, 1 cable 55 x 50mm
- » End sections & 45° elbow sections are available for corners & curves
- » Tested to 10,000kg axle weights



Description	Colour	Overall Size L x W x H mm	Weight kg	Model	Price
Centre element	Black & Yellow	960 x 600 x 75	26.5	279.23.799	<b>£78.58</b>
Angle - left	Black & Yellow	500/200 x 600 x 75	12	279.29.848	<b>£39.49</b>
Angle - right	Black & Yellow			279.26.562	<b>£39.49</b>
End element - Female	Black	283 x 600 x 75	3	279.20.233	<b>£16.65</b>
End element - Male	Black			279.22.899	<b>£16.65</b>